

KUBOTA UTILITY VEHICLE

Kubota®

RTV GAS-POWERED
RTV400 ■ RTV500



RTV400

- ***Responsive 16HP Gasoline Engine***
- ***Continuously Variable Transmission with Inertial Clutch (CVT Plus)***
- ***Standard 4-Wheel Drive***



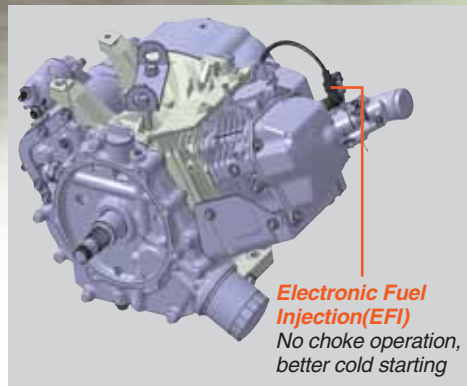
RTV500

- *Smooth, quiet 15.8HP Gasoline Engine*
- *Exclusive Variable Hydro Transmission (VHT Plus)*
- *Standard 4-Wheel Drive*



Introducing the new gas-powered 4WD RTV400Ci featuring mid-size utility, agility, and legendary Kubota reliability

Featuring a robust, heavy-duty platform, electronic fuel injection (EFI) and an advanced Continuously Variable Transmission with inertial clutch (CVT Plus) for excellent response and reliability, the new 4WD RTV400Ci will be at your ready, whether you're canvassing your property or jobsite, caring for livestock, or hunting in the woods.



16HP Air-cooled EFI Gasoline Engine

The RTV400Ci incorporates a new, high-revving 16HP air-cooled, single-cylinder gasoline engine that was developed to meet Kubota's stringent performance specifications and durability requirements. This engine also features an Electronic Fuel Injection (EFI) system that helps eliminate cold starting issues and annoying manual choke adjustments that plague competitors' carbureted utility vehicles.

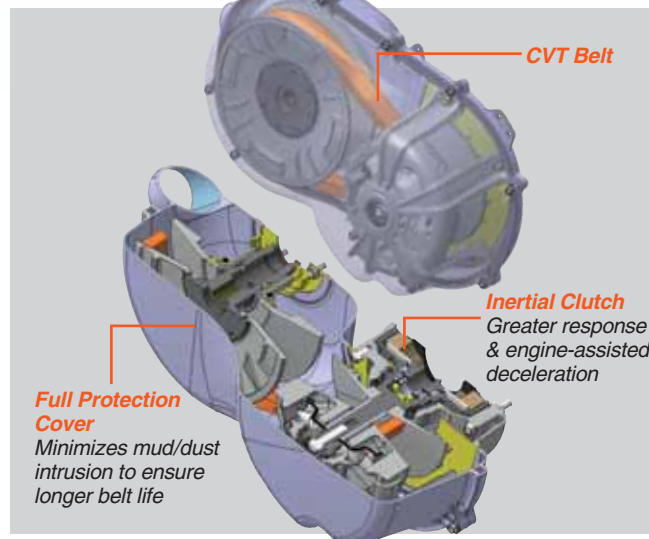


Standard Rollover Protective Structure (ROPS)

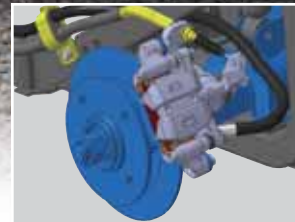
CVT Plus

(Continuously Variable Transmission with Inertial Clutch)

The RTV400Ci's newly designed CVT Plus is virtually worry free. The exclusive inertial clutch keeps the thick, double cogged-belts tight for minimal slippage, resulting in greater response and much better durability than the competitors' belt-drive systems. As an additional plus, the inertial clutch provides noticeable dynamic braking to help maintain control during descents with engine-assisted deceleration. And for more plus, CVT Plus has a full protection cover to minimize mud or dust intrusion, enhancing durability and enabling a longer belt life.



Robust, reliable semi-independent rear suspension



4-wheel disc brakes





Comfortable Operator Area

Get in and get going. The RTV400Ci features ergonomic, well-placed controls for easy operation, and a comfortable contoured bench seat, so both the driver and passenger can enjoy a full day of work or play. The low operator platform offers ample and obstacle-free leg room, so it's simple to step on or off.

Designed for Convenient Transportation

Kubota specifically designed the RTV400Ci's compact frame to make it easy to load into the bed of a full-size long bed pickup truck*. It's ideal for camping, hunting, or any rugged outdoor adventure.



** Always secure RTV with proper tie-down, especially with open tailgate.*



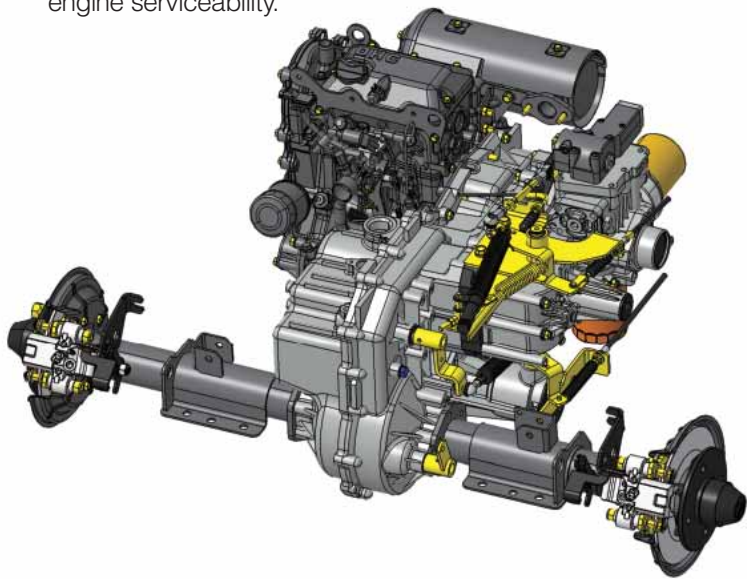
KUBOTA UTILITY VEHICLE
RTV400 

The RTV500—advanced technology from Kubota delivers exceptional performance and reliability in a compact size.

Whether you're tending a park, hunting in the woods, or simply roaming your property, let Kubota's RTV500 take you wherever you need to go. This quiet utility vehicle features Kubota's durable liquid-cooled EFI gasoline engine, variable hydrostatic transmission, and more—all packed into a compact body. Used for a variety of applications, it's powerful and rugged enough to handle uneven terrain, yet it can fit onto a full-size pickup truck, so you can take it with you. With all of this and more, you can rest assured that the high-performance RTV500 is always at the ready, no matter where you want to go.

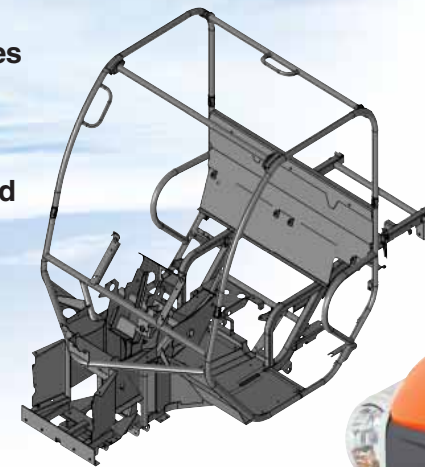
Kubota Liquid-cooled EFI Gasoline Engine

The RTV500's smooth 15.8-horsepower, 2-cylinder Kubota gasoline engine is liquid-cooled to ensure reliability and minimize noise and vibration, reducing operator fatigue and increasing efficiency. The engine features an Electronic Fuel Injection (EFI) system that provides on-demand power, optimizes acceleration and enhances quiet operability. Plus, the EFI eliminates the need to adjust the carburetor—enabling better engine start-up in cold weather or after long-term storage, and improving engine serviceability.



VHT Plus (Variable Hydro Transmission)

Kubota's exclusive and innovative hydrostatic transmission provides the RTV500 with an exceptional level of performance, handling, and reliability under tough conditions. Approach long downhill grades with confidence utilizing the VHT Plus' smooth, engine-assisted deceleration. In addition, the VHT offers outstanding traction and impressive power, providing the muscle to take you almost anywhere.



Standard Rollover Protective Structure (ROPS)



Shown with optional front guard.



Robust, reliable semi-independent rear suspension

Comfortable Operator Area

Get in and get going. The RTV500 features ergonomic, well-placed controls for easy operation, and a comfortable contoured bench seat, so both the driver and passenger can enjoy a full day of work or play. The low operator platform offers ample and obstacle-free leg room, so it's simple to step on or off.



Designed for Convenient Transportation

Kubota specifically designed the RTV500's compact frame to make it easy to load into the bed of a full-size long bed pickup truck*. It's ideal for camping, hunting, or any rugged outdoor adventure.



** Always secure RTV with proper tie-down, especially with open tailgate.*



KUBOTA UTILITY VEHICLE
RTV500

Specifications

Model Name		RTV400Ci	RTV500	
Engine	Type	1-cylinder, Gas, OHC, Air-cooled, EFI	2-cylinder, Gas, OHC, Water-cooled, EFI	
	Displacement	cu. in. (cc) 24.6 (404)	27.8 (456)	
	Horsepower	HP (kW) / rpm 16.0 (11.9) / 4800	15.8 (11.8) / 3600	
Fuel tank capacity	U.S. gals (l)	5.2 (20)		
Transmission		CVT PLUS Continuously Variable Transmission (CVT) with Inertial Clutch	VHT PLUS Variable Hydro Transmission	
Max. traveling speed	mph (km/h)	25 (40)		
Wheels, drive system		4, 4WD w/2WD selection		
Differential lock		Standard; hand operated with mechanical holder		
Gear selection		Hi-Lo range forward, neutral, reverse		
Brakes	Front / Rear	Dry-disc brakes		
	Parking brake	Rear wheel, hand lever		
Steering		Rack & Pinion		
Suspension	Front / Rear	Independent, Mac-Pherson strut-type / Semi-independent, multi-link		
Dimensions	Length	in. (mm)	105.9 (2690)	
	Width	in. (mm)	54.7 (1390)	
	Height, overall	in. (mm)	72 (1829)	
	Front tread centers	in. (mm)	40 (1016)	
	Rear tread centers	in. (mm)	41 (1041)	
	Wheelbase	in. (mm)	70.9 (1800)	
	Ground clearance front/rear axle	in. (mm)	8.1 (205) / 6.9 (172)	
	Turning diameter	ft. (m)	22.4 (6.8)	22.9 (7)
Max. rolling weight (towing capacity)	lbs. (kg)	1102 (500)		
Payload capacity	lbs. (kg)	999 (453)	949 (430)	
Weight	lbs. (kg)	1246 (565) with ATV tires, 1257 (570) with HDWS Tires		
Cargo bed	Width × Length × Depth	in. (mm)	40.6 (1032) × 33.7 (856) × 11.4 (290)	
	Volume	cu. ft. (m ³)	9.0 (0.25)	
	Bed height (unloaded)	in. (mm)	30.9 (785)	31.9 (810)
	Cargo bed load	lbs. (kg)	441 (200)	
Tires	Front		24 × 9-12 ATV, 6PLY	
			24 × 9-12 HDWS, 6PLY	
	Rear		24 × 11-12 ATV, 6PLY	
			24 × 11-12 HDWS, 6PLY	
Body color		Orange, Camouflage (Realtree® Hardwoods®)		
Speedometer		Opt.		
Front guard		Opt.		
Headrest		Opt.		

**Realtree® is a registered trademark of Jordan Outdoor Enterprises, Ltd.
The company reserves the right to change the above specifications without notice. This brochure is for descriptive purposes only. Please contact your local Kubota dealer for warranty and safety information.
The values in "Ground clearance" and "Weight" are those of the machine equipped with the tires in the table above. Some RTVs in this web site are shown with optional accessories. For off-highway use only.



KUBOTA TRACTOR CORPORATION

Visit our web site at: www.kubota.com

©2012 Kubota Corporation

